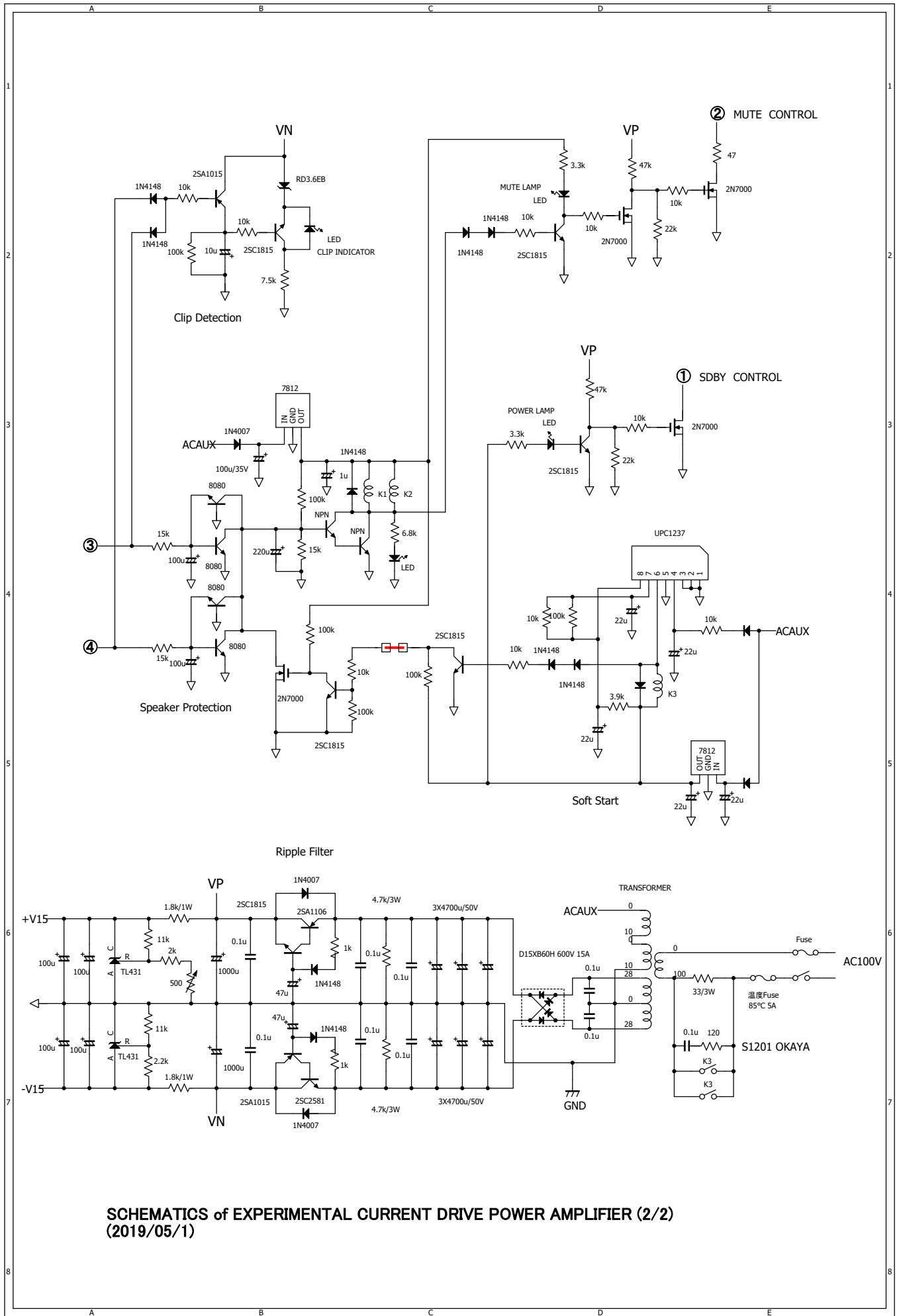


SCHEMATICS of EXPERIMENTAL CURRENT DRIVE POWER AMPLIFIER (1/2)
 (2019/05/1)



SCHEMATICS of EXPERIMENTAL CURRENT DRIVE POWER AMPLIFIER (2/2)
 (2019/05/1)